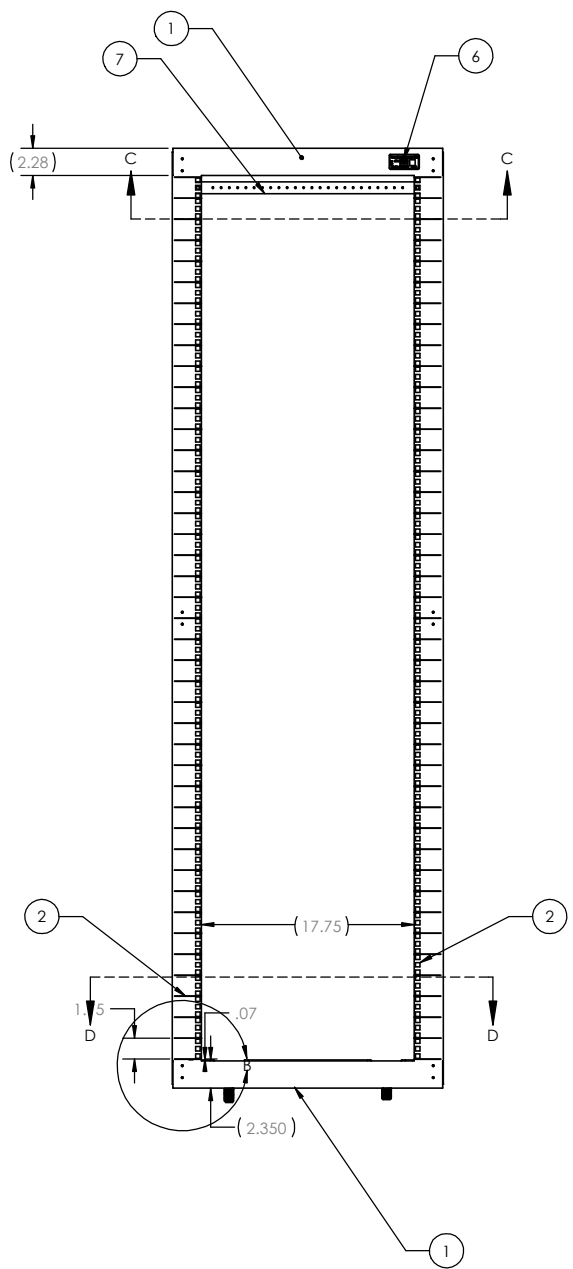
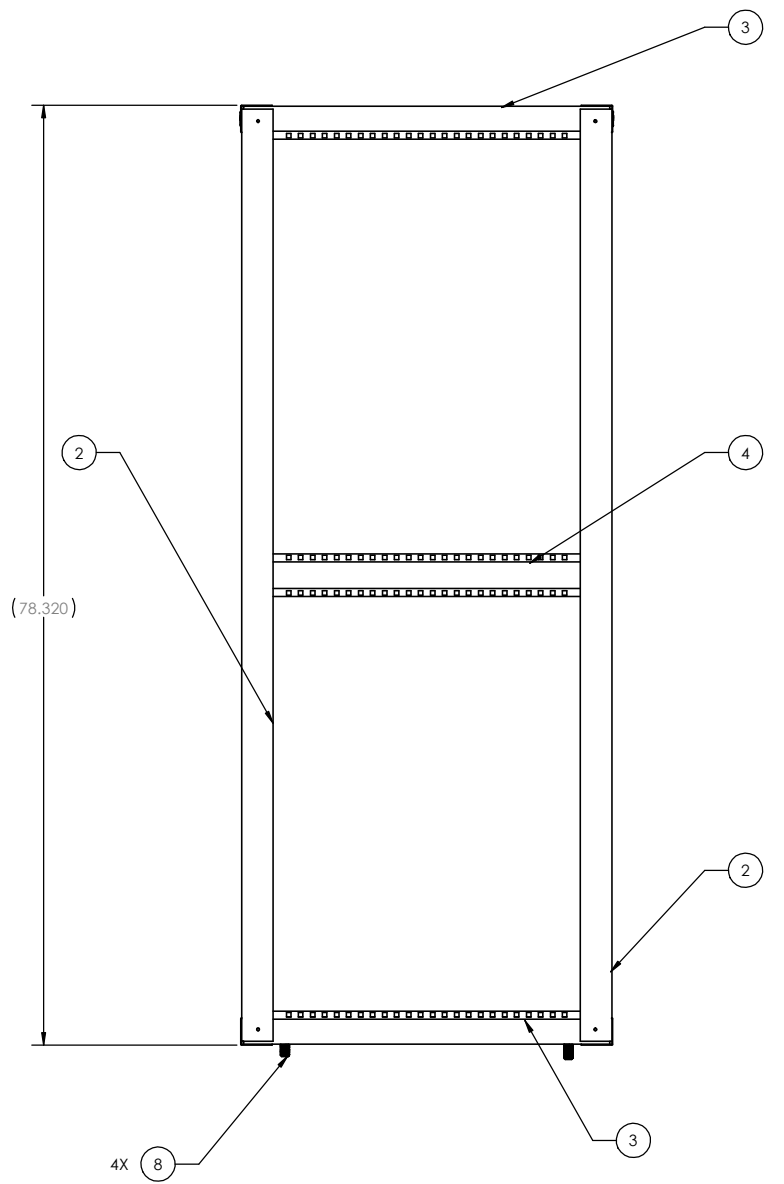
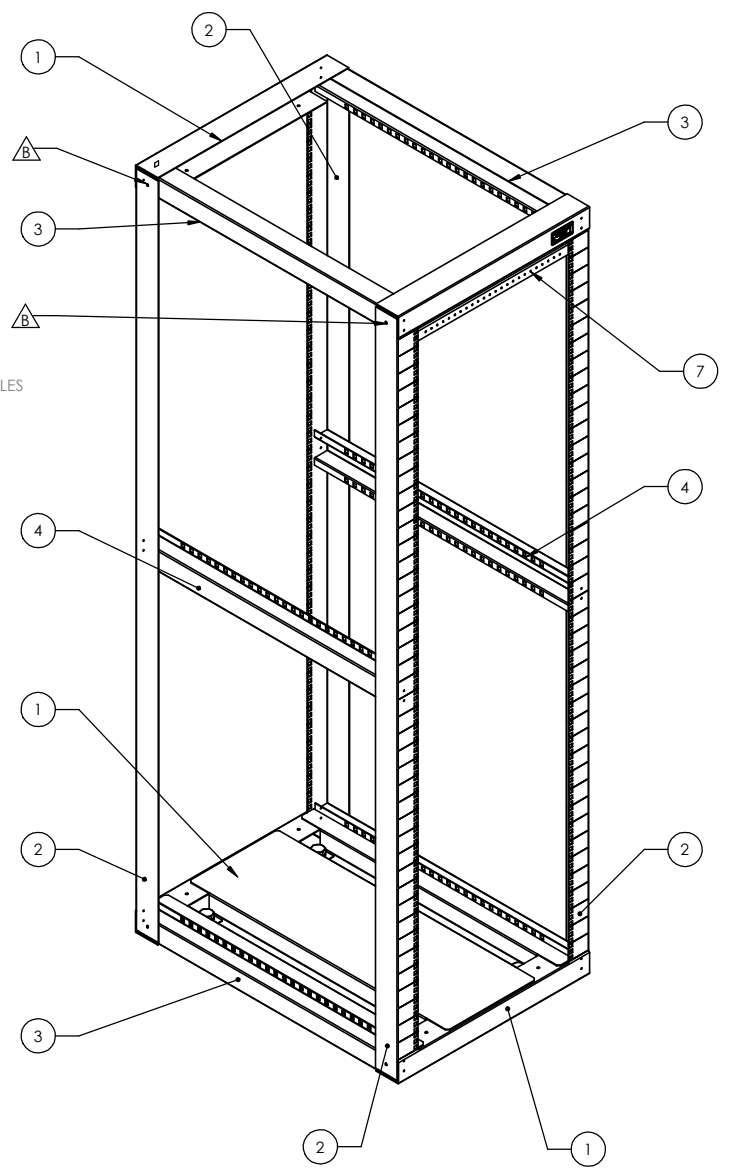
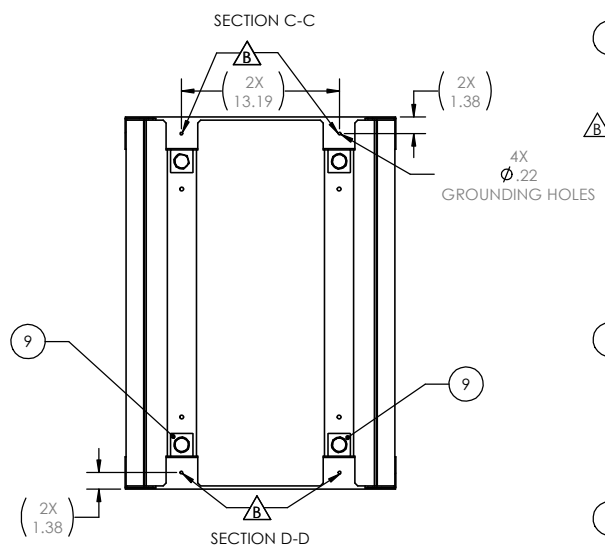
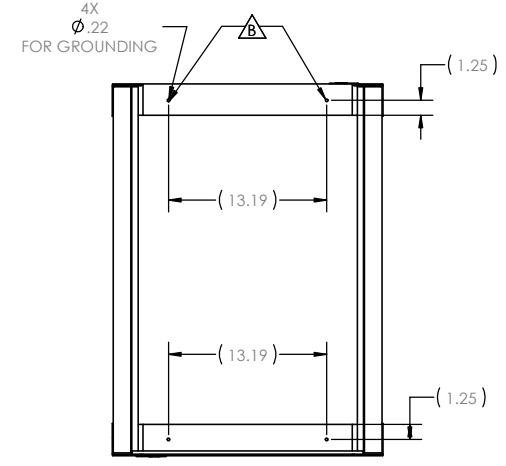
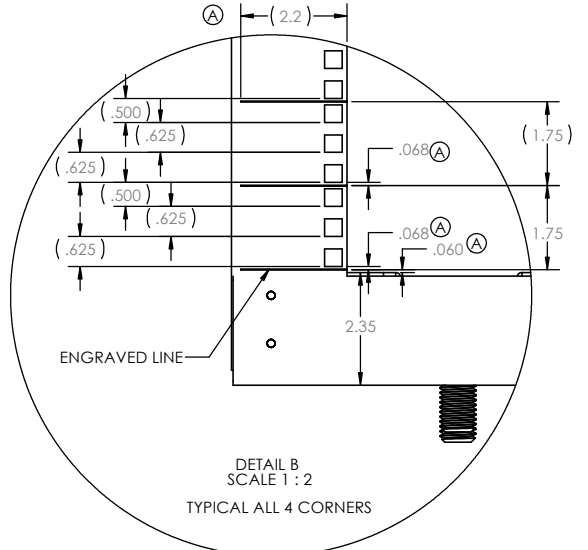
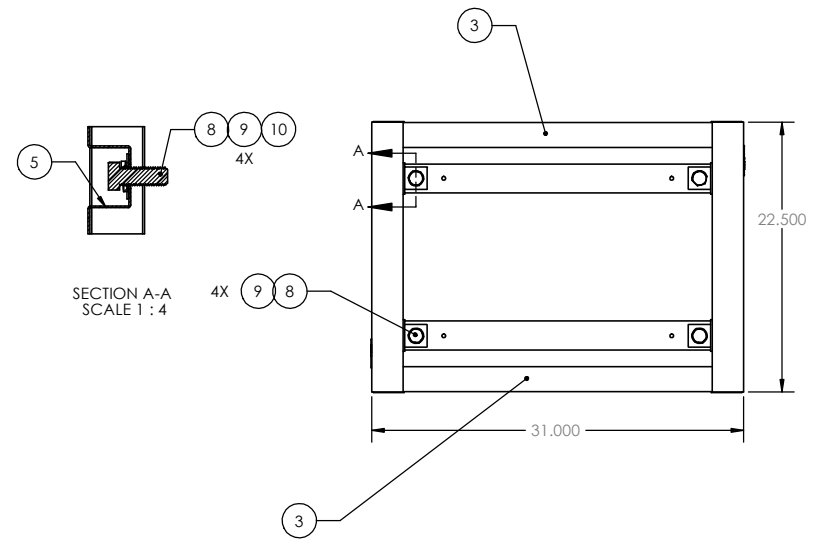


REVISIONS				
ZONE	REV.	DESCRIPTION	DATE	APPROVED
	A	CHANGED GAUGE OF MATERIAL TO 14 GAUGE, AND ADDED DIMENSIONS AS SHOWN, FOR FINAL RELEASE	4/1/2013	BLT
	B	ADDED .220 DIAMETER HOLES FOR GROUNDING, AND LIFT HOLES FOR POWDER COATING.	4/22/2013	BLT



ITEM NO.	QTY.	PART NUMBER	DESCRIPTION	STOCK SIZE
10	4	HLF009700011	WASHER, LOCK .75 DIA	CRS
9	4	HLF012000007	PLATE, SPREADER, RACK ASSY	14 GAUGE
8	4	HLF009700012	BOLT, 3/4-10 X 2.0" LG CRS	CRS
7	1	HLF012000005	BAR, RACK GROUNDING 19" WITH HARDWARE	COPPER 1/4" THK
6	2	HLF012000101	IDENTIFICATION LABEL, RACK ASSY	
5	1	HLF012000003-02	BASE PLATE, OEM VERSION	14 GAUGE
4	2	HLF012030001-04	CHANNEL, SIDE MOUNTING	14 GAUGE
3	4	HLF012030001-03	ANGLE SIDE TOP-BOT CORNER	14 GAUGE
2	4	HLF012030001-02	RACK CORNER POST	14 GAUGE
1	4	RACK ASSY	BRACE, TOP-BOT CHANNEL	SEE PL

PROPRIETARY AND CONFIDENTIAL THE INFORMATION CONTAINED IN THIS DRAWING IS THE SOLE PROPERTY OF BLT ENGINEERING INC./BLT ENGINEERING. ANY REPRODUCTION IN ANY FORM OR BY ANY MEANS WITHOUT THE WRITTEN PERMISSION OF BLT ENGINEERING INC./BLT ENGINEERING IS PROHIBITED.	UNLESS OTHERWISE SPECIFIED: BREAK & DEBURR ALL EDGES DIMENSIONS ARE IN INCHES TOLERANCES: FRACTIONALS: ANGLES: MACH ± BEND ± TWO PLACE DECIMAL ±.02 THREE PLACE DECIMAL ±.010 INTERPRET GEOMETRIC TOLERANCING PER:	BLT-ENGINEERING INC 11211 WATSON RD. LEESBURG, VA 20175 703-499-1506 703-738-6744	DESIGN ACTIVITY PREPARED BY:	
	MILD STEEL FRESH POWDER COAT FLAT BLACK	NAME: _____ DATE: _____ DRAWN: _____ BENEFITS: _____ CHECKED: _____ ENG APPR: _____ MFG APPR: _____ D.A. _____ FILE NAME: _____	TITLE: SERVER RACK HEAVY DUTY CUSTOM SHELTER MOUNT	23221 WATSON RD LEESBURG, VA 20175
	APPLICATION: _____ NEXT ASSY: _____ USED ON: _____	SCALE: 1:8	SIZE: CAGE D 4CK45	DWG. NO.: HLF012030001